

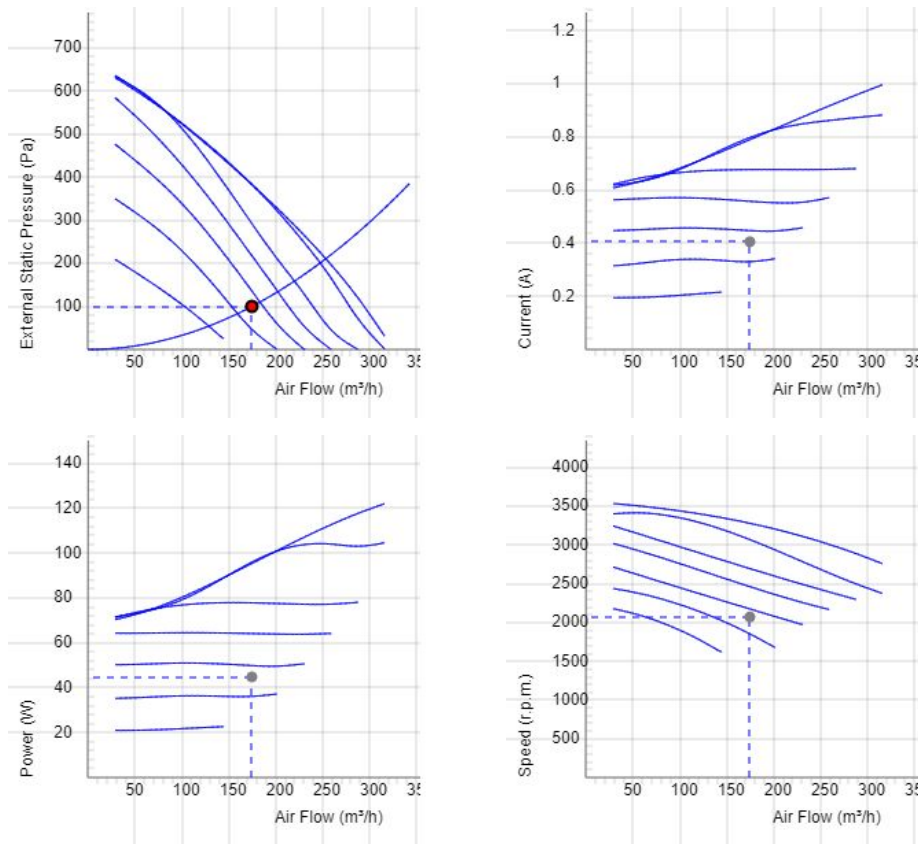
## HERU 70 K EC



- NEW! Controlled by the HERU IQ app via Bluetooth or cloud service (use of Cloud service requires internet connection to the HERU).
- Wireless touch display as accessory.
- Energy recovery unit designed mainly for installation above the kitchen stove.
- The HERU Kitchen is equipped with a built-in cooker hood that will get rid of all unwanted smoke, odors and fumes from your kitchen while you are cooking.
- High efficient odor extraction from cooker hood.
- Designed for supply and exhaust air ventilation with energy recovery.
- Suitable for installation in homes and apartments where there are stringent requirements on the indoor environment.
- High temperature efficiency, low energy consumption (SFP), low sound level, high operating reliability and provides clean indoor air.
- Unique design minimizes all thermal bridges.
- Integrated Modbus communication. No accessories needed.
- The unit has a LAN port for connection to a local network via cable or Wifi adapter.
- Easy installation wizard.
- Scheduled operation.
- Supports use of presence sensors.
- Airflow is generated by two silent radial fans with EC motors and impellers with forward curved blades.
- The fans are connected with quick connectors and are very easy to remove for cleaning.
- A regenerative, non-hygroscopic, aluminum rotating heat exchanger located in the center of the unit. The heat exchanger can also be removed for cleaning.
- Comes with incinerable panel filters ISO ePM1 50% as standard, for both exhaust and supply air. The filter is very easy to change.
- The cooker hood comes equipped with a dishwasher safe grease filter.
- Integrated controls for heating/cooling.
- Equipped with integrated electric heater.
- The unit is constructed of double-layer galvanized steel sheet with insulation in between.
- For placement in warm areas.
- All HERU Kitchen units are equipped with a wall plug.

NOTE! The warranty of HERU is only valid if accessories/equipment (e.g. filters) from H. Östberg AB are used.

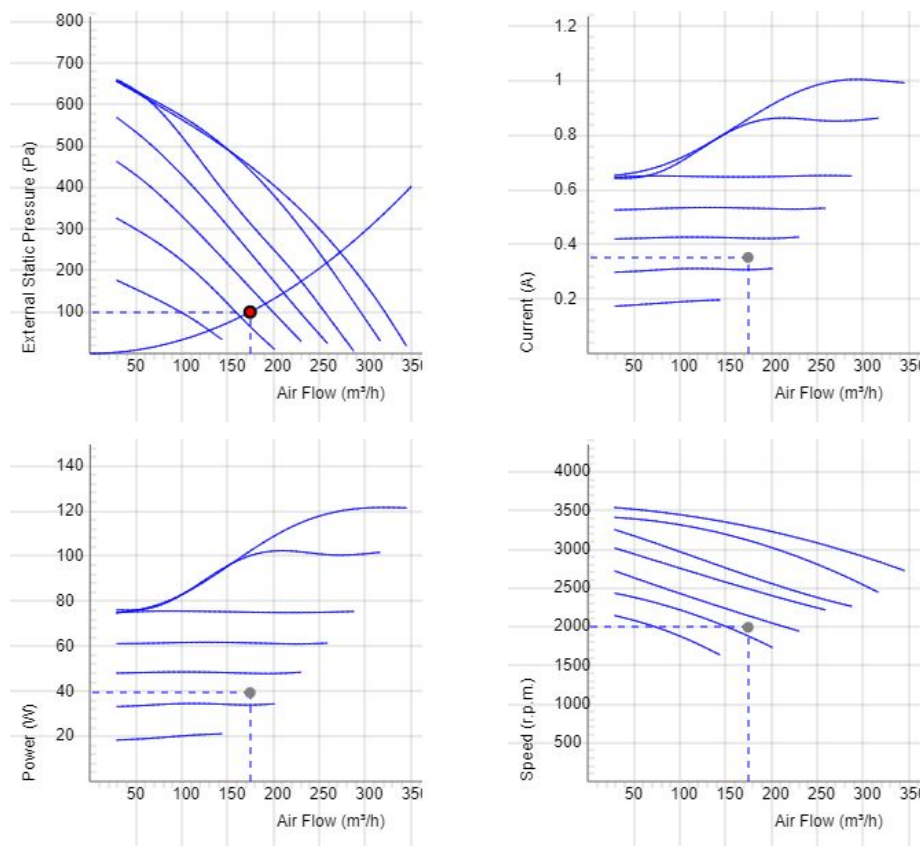
## DIAGRAMS - SUPPLY



## Data - SUPPLY

Air Flow (m³/h) 175	External static pressure (Pa) 100	Power (W) 44.8	Speed (r.p.m.) 2073	Current (A) 0.406	Voltage (V) 3.64
------------------------	--------------------------------------	-------------------	------------------------	----------------------	---------------------

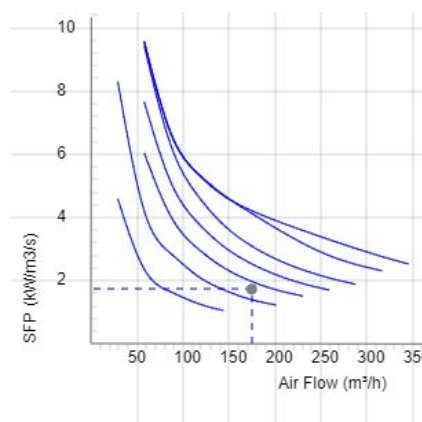
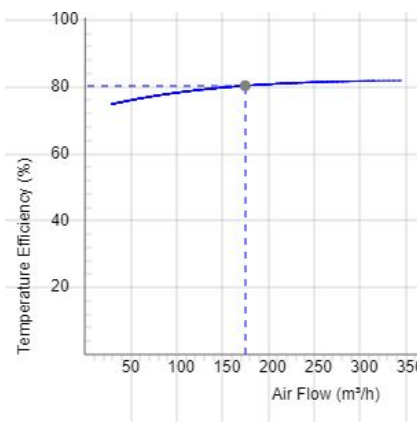
## DIAGRAMS - EXTRACT



## Data - EXTRACT

Air Flow (m³/h) 175	External static pressure (Pa) 100	Power (W) 39.4	Speed (r.p.m.) 1992	Current (A) 0.352	Voltage (V) 3.39
------------------------	--------------------------------------	-------------------	------------------------	----------------------	---------------------

## DIAGRAMS - COMBINED

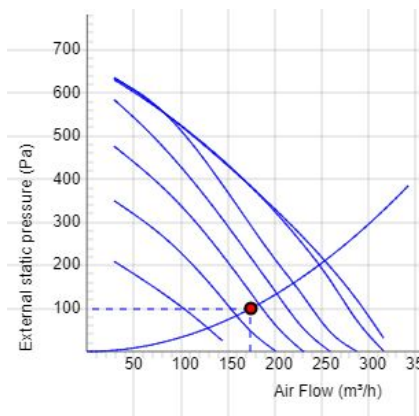


## DATA COMBINED

Efficiency (%)  
80.4

SFPv (kW/m³/s)  
1.73

## SOUND DATA



	Tot	63	125	250	500	1k	2k	4k	8k
Supply Lw dB(A)	70	55	56	62	64	63	63	60	53
Extract Lw dB(A)	56	50	50	51	47	42	36	24	19
Surrounding Lw dB(A)	44	30	37	39	39	33	29	26	27
Surrounding Lp dB (A) 20m² Sabine, hemispherical 3m	37								

## Data - SOUND

Air Flow (m³/h) 175	External static pressure (Pa) 100	Power (W) 44.8	Speed (r.p.m.) 2073	Current (A) 0.406	Efficiency (%) 80.4	SFPv (kW/m³/s) 1.73	Voltage (V) 3.64
------------------------	--------------------------------------	-------------------	------------------------	----------------------	------------------------	------------------------	---------------------

## TECHNICAL DATA

Parameter	HERU 70 K EC-y1 R 8010805		HERU 70 K EC-y1 L 8010806	
	Value	Unit	Value	Unit
Voltage	230	V	230	V
Phase	1	~	1	~
Frequency	50	Hz	50	Hz
Power	1010	W	1010	W
Power, fans	242	W	242	W
Power, heater	750	W	750	W
Current	5.4	A	5.4	A
Current, fans	2.02	A	2.02	A
Current, heater	3.26	A	3.26	A
Speed	3050	r.p.m.	3050	r.p.m.
Sound pressure level at 3 m	41	dB(A)	41	dB(A)
Weight	48.0	kg	48.0	kg
Enclosure class	41	IP	41	IP
Duct connection	125	mm	125	mm
Max. flow @ 0Pa	349.20097776274	m <sup>3</sup> /h	349.20097776274	m <sup>3</sup> /h
Max. pressure	692	Pa	692	Pa
Voltage range	220-240	V	220-240	V

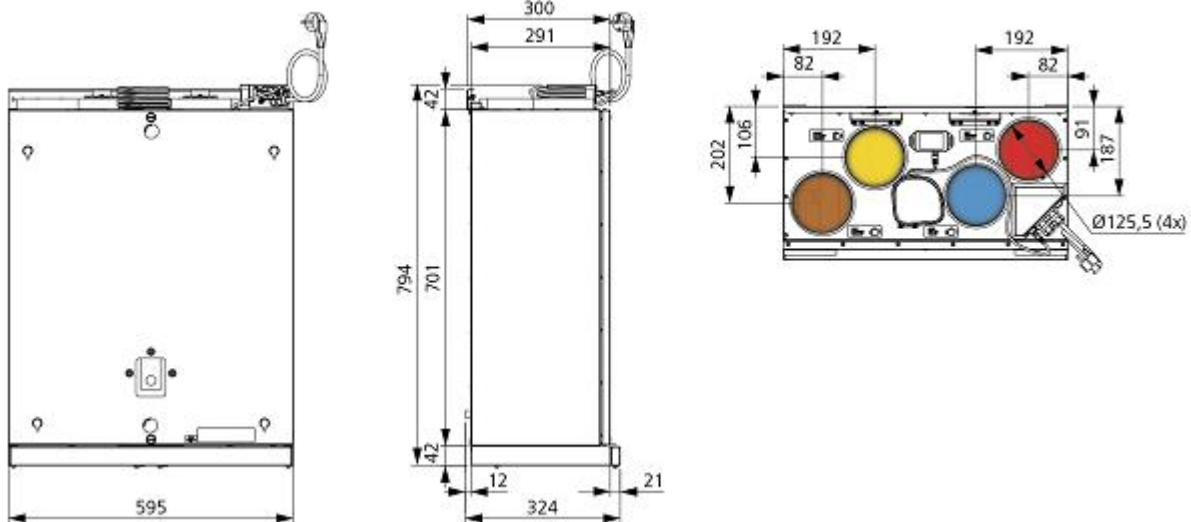
## PRODUCT INFORMATION SHEET

Parameter	Value	Unit
(a) Manufacturer	Östberg	-
(b) Model code	HERU 70 K EC	-
(c) SEC average climate	-37.9	kWh/m <sup>2</sup>
SEC average climate, class	A	-
SEC warm climate	-13.3	kWh/m <sup>2</sup>
SEC warm climate, class	E	-
SEC cold climate	-80.8	kWh/m <sup>2</sup>
SEC cold climate, class	A+	-
(d) Declared type	RVU / BVU	-
(e) Type of drive	Variable speed drive	-
(f) Type of heat recovery	Regenerative	-
(g) Thermal efficiency	80.1	%
(h) Max. flow rate (@100Pa)	322	m <sup>3</sup> /h
(i) Power at max. flow rate	243	W
(j) Sound power level	44	dB LwA
(k) Reference flow rate	0.057	m <sup>3</sup> /s
(l) Reference pressure difference	50	Pa
(m) SPI	0.53	W/(m <sup>3</sup> /h)
(n) Type of control/ctrl factor	Local demand control	-
(o) External (and internal) leakage rate	2.5 (5.7)	%
(p) Mixing rate	N/A	-
(q) Visual filter warning	In remote control	-
(r) Instruction supply/exhaust grilles	See manual	-
(s) Disassembly instructions	fsp.ostberg.com	-
(t) Airflow sensitivity	N/A	-
(u) Air tightness	N/A	m/s
(v) AEC	280	kWh
(w) AHS average	4488	kWh

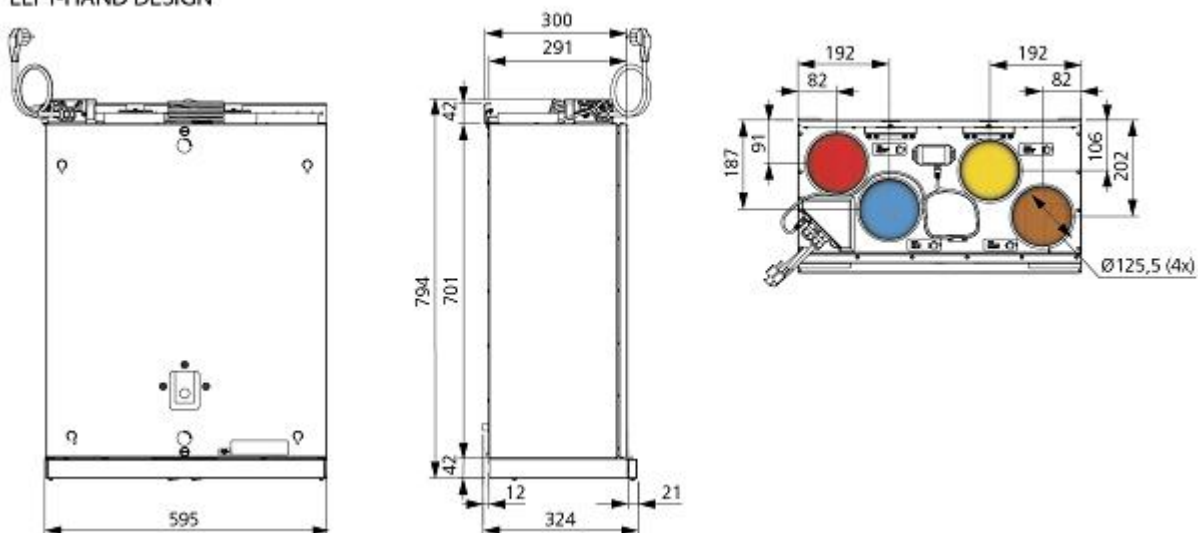
Parameter	Value	Unit
AHS warmer	2030	kWh
AHS colder	8781	kWh

## DIMENSIONS

### RIGHT-HAND DESIGN



### LEFT-HAND DESIGN





## ENGLISH

- Supply air
- Extract air
- Exhaust air
- Fresh air

## SVENSKA

- Tilluft
- Frånluft
- Avluft
- Uteluft

## NORSKA

- Tilluft
- Avtrekk
- Avkast
- Luftinntak

## SUOMI

- Tuloilma
- Poistoilma
- Jäteilma
- Ulkoilma

## DEUTSCH

- Zuluft
- Abluft
- Fortluft
- Frischluft

## POLSKI

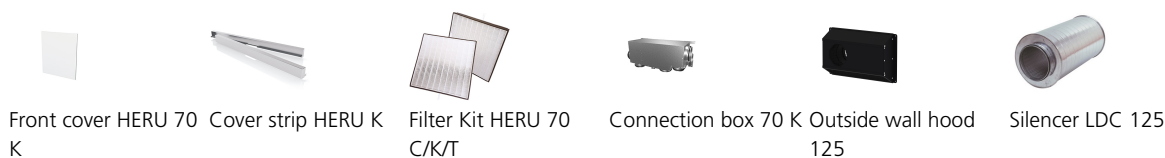
- Powietrze nawiew
- Powietrze wywiew
- Powietrze usuwane
- powietrze z zewnątrz

## ITALIANO

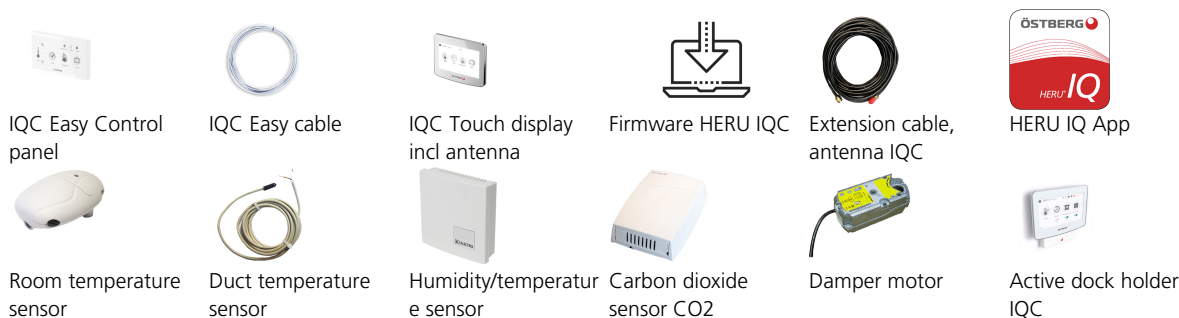
- Aria di immissione
- Aria di estrazione
- Sfiato
- Aria di esterna

## ACCESSORIES

### Mechanical accessories



### Electrical accessories



## SPARE PARTS



IQC Touch display